

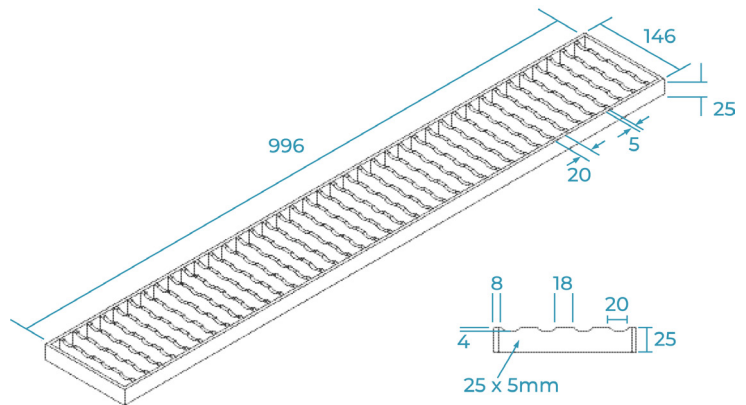
AQUALINE

AQ Scalloped Ladder 100

Product Description

The Aqualine AQ Scalloped Ladder 100 is manufactured in 996mm standard lengths or to meet the specifications of the clients existing drainage system. This type of drain cover provides effective drainage, while withstanding daily pedestrian and factory traffic requirements. The scalloped edge design improves safety under foot.

Suitable for environments with a requirement for high standards of hygiene, being easy to clean and durable.



Key Benefits

- Manufactured in England.
- In-house bespoke design service.
- Designed to be durable and easy to clean.
- Ideal for food grade environments.
- Suitable for pedestrian and factory traffic.
- Fitting and installation service available.
- Available with bolted cover to prevent distortion.
- Maintenance & inspection contracts available.
- Load class up to C250

Technical Specification

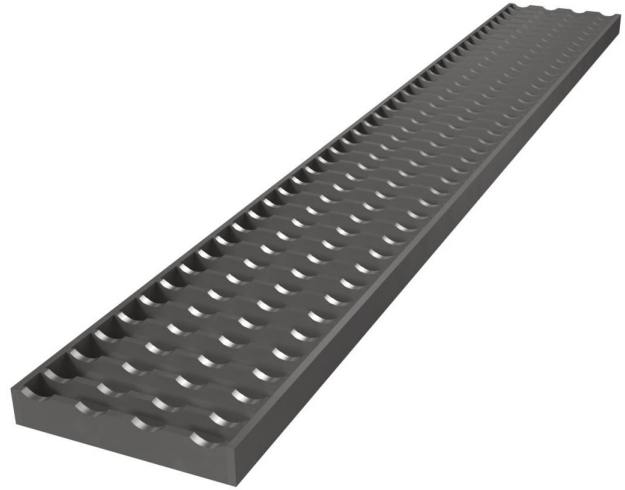
- 5mm stainless steel flat plate
- 25mm depth.
- Grade 316/304 stainless steel (British Standard 304S31, Euronorm 1.4301).
- Stitch welded.
- Designed to be slip-resistant in both dry and wet conditions.
- Fully welded for increased hygiene

Drainage Systems

The Aqualine range keeps things flowing with hygienic, durable and low maintenance drainage solutions, suitable for use in food-grade environments.

Made from high quality stainless steel in our state-of-the-art facility, all Aqualine products are designed by our in-house engineers and manufactured in the UK.

In addition to a wide range of off the shelf options, we offer a bespoke design service, enabling us to customise and create products to meet any customer requirements.



Maintenance

Stainless steel equipment should be routinely checked for concentrated fluid build up, retained deposits and damage as these can lead to corrosion. If required, we are able to provide planned preventative maintenance programmes and inspections to ensure that drainage systems are in optimal operating condition.

Cleaning

All of our Aqualine range is designed to be easy to clean and maintain. The recommended cleaning methods include; steam, water, non-abrasive scrubbing, organic solvents and mild detergents. The frequency and specific cleaning method used will depend on the application of the drainage. All products should be routinely checked for damage.

Installation

Our dedicated installation team are capable of undertaking projects of any scale with assistance and expertise provided at every stage of the project. All installations adhere to our industry leading service standards, are handed over ready to use and include a high quality finish with welded and polished joints and commissioning included. Installation services are available on all product ranges and bespoke products.

Additional options

We offer a bespoke design service for our drainage systems to meet the requirements of your workplace or project.

To discuss a project, or bespoke design requirement, contact our technical sales department.

01509611235
www.alwayaqualine.co.uk
enquiries@alwayaqualine.co.uk

