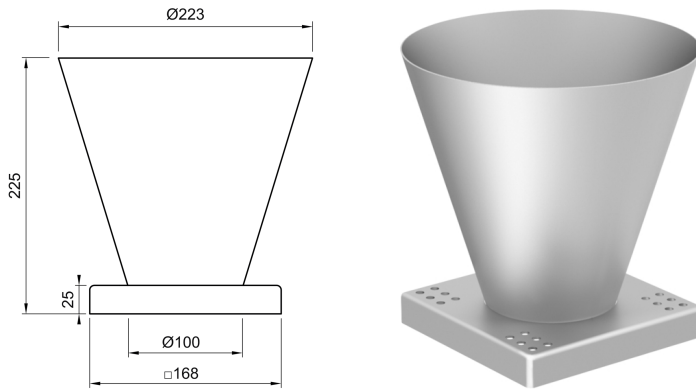


ACO tundish

Product information



Used with

- ACO gully top size 200 x 200 mm

Description

- Stainless steel
- Material grade 1.4301 (304)