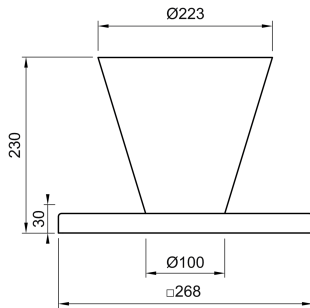


# ACO tundish

## Product information

---



### Used with

- ACO gully top size 300 x 300 mm

### Description

- Stainless steel
- Material grade 1.4301 (304)