

ALWAY

KERBLINE

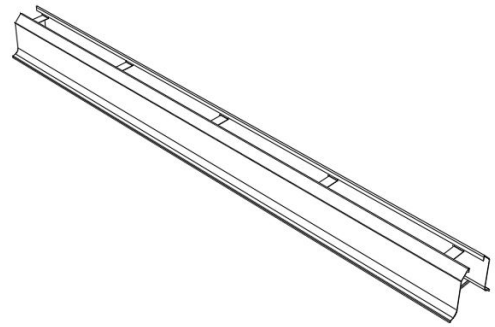
KERBING

DESCRIPTION

Our kerbing range is available in various styles and sizes.

They are made with high quality 304 or 316 grade stainless steel.

Our designs focus on creating an easy to clean and strong kerbing solution.



TECHNICAL SPECIFICATIONS

- Made from high quality 304 or 316 grade stainless steel or aluminium in a range of thicknesses.
- Available in a wide variety of styles such as single sided, double sided, galvanised angle or clip on.

CLEANING & MAINTENANCE

Our kerbing is easy to clean and maintain.

We recommend regular checks for damage.

Recommended cleaning methods are steam, water, non abrasive scrubbing and mild detergents.

KEY BENEFITS

All of our products are designed and manufactured in our state of the art production facility by our talented and experienced engineers and fabricators.

- Available in a variety of sizes and styles
- Bespoke design service available
- Designed to be durable and easy to clean
- Ideal for food grade environments
- We offer fitting and installation services
- Maintenance and inspection contracts can be arranged
- Can be concrete filled